

Other Recycling Equipment

BP2



Bag press BP2

Hygienic

Hygienic compaction of household waste directly into a plastic bag.

No bag busting

The steel chamber prevents the bag from busting. The bag is easy to change.

Highlights

- For household waste
- Compaction directly into plastic bag
- Wheels make the press easy to move
- Brakes ensure safe and stable locking of wheels
- Only 185 cm high
- Galvanized to resist demanding environments
- Easy changing of the plastic bag
- Prevention of bag busting
- Holds up to 100 litres

Details and benefits



You can easily move the bag press due to its wheels, which can be locked with a brake.



Compression inside a galvanized steel chamber prevents the bag from busting.

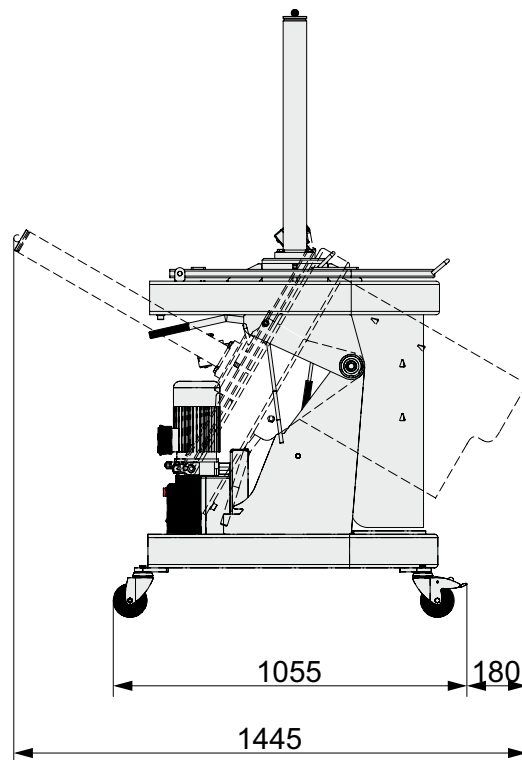
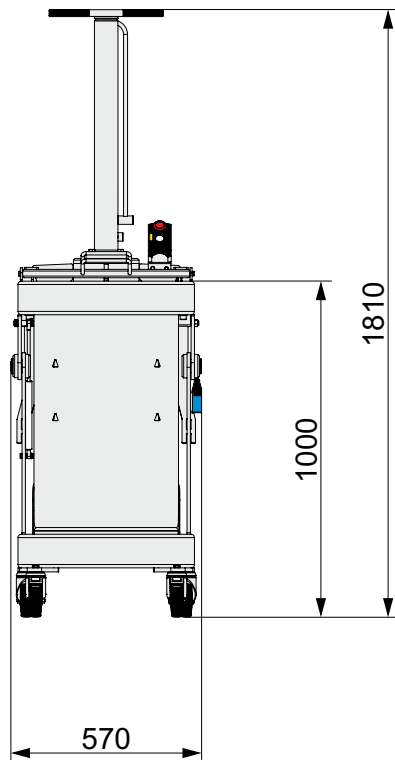


Compact your kitchen waste, push the bag free from the chamber and tie it off.



Product details

Bag press BP2



Technical specifications

Power supply	1x230V 50Hz 10A
Motor (kW)	75
Dimensions WxDxH (mm)	1055 x 570 x 1810
Weight (kg)	220
Stroke (mm)	600
Feed opening WxH (mm)	430
Chamber height (mm)	660
Filling height (mm)	1000



Press force 1.5 t



Height 1810 mm



Cycle time 25 sec.