

Vertical Balers

B-series



Baler B4 Textile

Specially for textiles

For compacting clothes, our B4 Textile is ideal. Specially designed without retainers in the chamber to protect the clothes.

Small manageable bales

This baler makes small manageable bales that are easy to transport and stack.

Highlights

- No retainers inside the chamber
- Protects the clothes from ripping
- Compacted bales measure just 70 x 50 x 35-65 cm
- Bales are easy to transport and stack
- A mounted knife makes it easy to cut the straps
- Automatic prevention of chamber overload
- Powder Coating provides durable finish in many colors

Optional Extras



There are no retainers inside the chamber, to prevent damage on the clothes.



Gain remote control of your baler with our intelligent fleet monitoring system, BRA-IN.



Personalize your baler with a custom RAL colour of your choice.

Product details

Baler B4 Textile



Whisper

30 dB



Refrigerator

50 dB



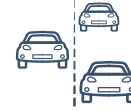
B4 Textile

57-60 dB



Other balers

75 dB



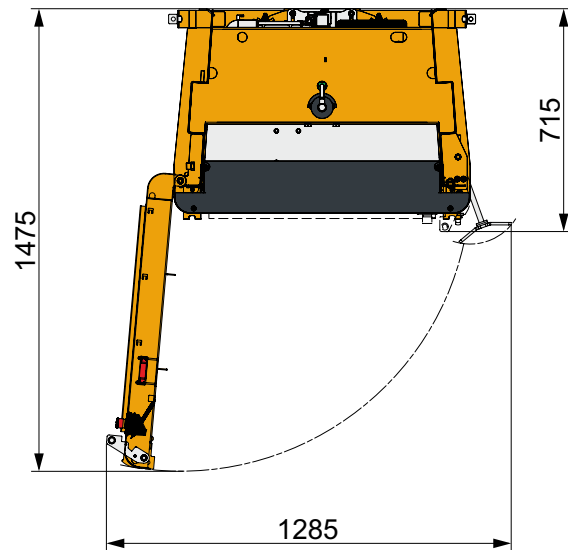
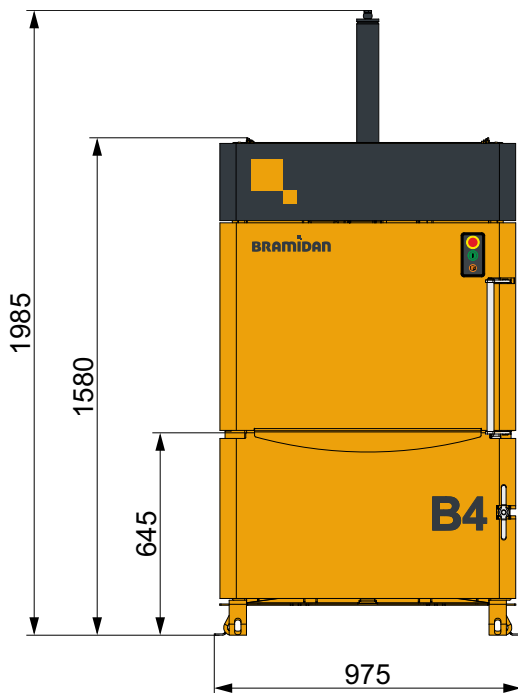
Cars on highway

100 dB



Turbojet engine

160 dB



Technical specifications

Bale size WxDxH (mm)	770 x 500 x 600
Feed opening WxH (mm)	770 x 460
Power supply	1x230V 50Hz 10A
Motor (kW)	1.5
Cycle time avg. (sec)	28
Dimensions WxDxH (mm)	975 x 715 x 1985
Weight (kg)	300 kg
Stroke (mm)	650
Number of ties	2
Type of tying	Twine
Full bale light	Yes
Bale eject	Automatic



Bale weight

Textile (kg) 25-80



Press force

4 t



Noise level

60-65 dB



Waste types

Textile, clothes, fabrics.

BRAMIDAN
bramidan.com

Bramidan A/S
Industrivej 69
6740 Bramming
Denmark
Tel. +45 7517 3266
bramidan@bramidan.dk