

## Vertical Balers

### B-series



## Baler B4

### Compact and powerful baler

The B4 is a compact baler with a small base area and low height – and a powerful press force.

### Optimal working environment

You eject the finished bale by a safe two-hand operation.

### Highlights

- Simple control panel
- Automatic bale ejection
- Automatic full baler indicator
- Very low noise level
- Low overall width and height
- Compacted bales
- Front operated for installation in narrow spaces
- Single phase power connection
- Powder Coating provides durable finish in many colors

## Optional Extras



Control who operates your baler with a digital auto lock.



You may choose other RAL colours for your balers.



Get online access to your balers with our monitoring system called BRA-IN.

# Product details

## Baler B4



Whisper

30 dB



Refrigerator

50 dB



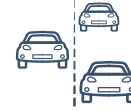
B4

57-60 dB



Other balers

75 dB



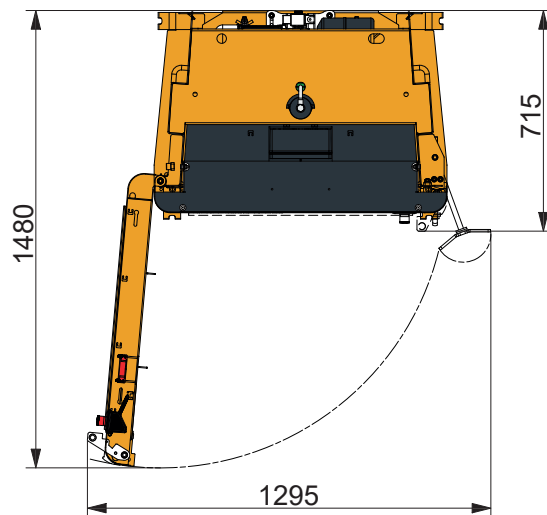
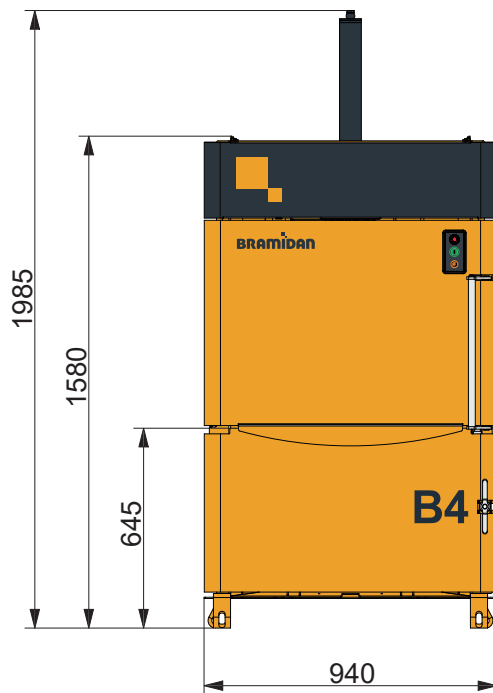
Cars on highway

100 dB



Turbojet engine

160 dB



### Technical specifications

Bale size WxDxH (mm)	770 x 500 x 600
Feed opening WxH (mm)	770 x 460
Power supply	1x230V 50Hz 10A
Motor (kW)	1.5
Cycle time avg. (sec)	28
Dimensions WxDxH (mm)	940 x 715 x 1985
Weight (kg)	300
Stroke (mm)	650
Number of ties	2
Type of tying	Twine
Full bale light	Yes
Bale eject	Automatic



#### Bale weight

Cardboard (kg)	40-60
Plastic foil (kg)	50-70



#### Press force

4 t



#### Noise level

60-65 dB



#### Waste types

Cardboard, plastic foil, paper.

**BRAMIDAN**  
bramidan.com

Bramidan A/S  
Industrivej 69  
6740 Bramming  
Denmark  
Tel. +45 7517 3266  
bramidan@bramidan.dk