

Vertical Balers

X-series



Baler X6030 LP

Low profile 60" baler

The X6030 LP is low profile machine that fits installed under an 8 foot ceiling, and still makes a full 60" bale.

Heavy duty and high pressure

With 88,000 lbs of pressure, an almost fully penetrating press plate and a heavy duty frame, this machine can handle PET, alu cans as well as cardboard and stretch wrap.

Highlights

- Full 60" bale
- Less than 92" installed height
- Front tie off - can be placed up against the wall or inside rack
- Can be used for cardboard, stretch wrap, PET, alu cans etc.
- Quiet Power Unit -- noise level like an office printer
- Compliant with ANSI and UL regulations
- Powder Coating provides durable finish in many colors

Optional Extras



You can always order our balers in custom colors, and get your stickers placed on them as well.



Built-in Intelligence monitoring system - called BRA-IN, optimizes use and logistics.



A digital auto lock will prevent unauthorized users from running the baler without a 4-digit code.

Product details

Baler X6030 LP



Whisper

30 dB



Refrigerator

50 dB



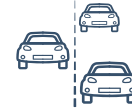
X6030 LP

59-60 dB



Other balers

75 dB



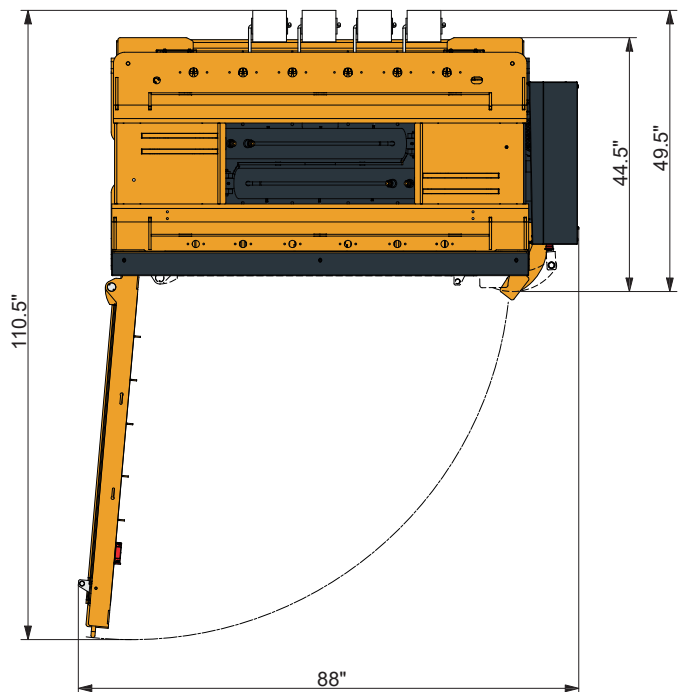
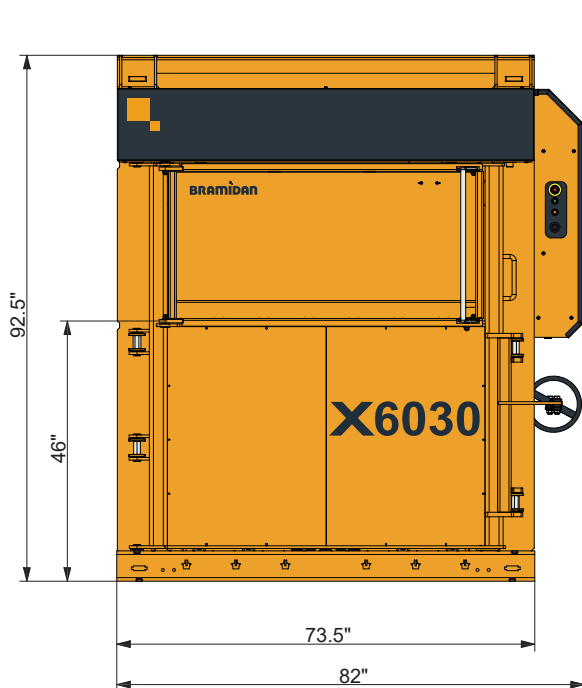
Cars on highway

100 dB



Turbojet engine

160 dB



Technical specifications

Bale size WxDxH (inch)	60 x 30 x 48
Feed opening WxH (inch)	60 x 21
Power supply	208/230/480V 3-phase 60Hz
Motor (HP)	5.5
Cycle time avg. (sec)	37
Dimensions WxDxH (inch)	82 x 50 x 93
Weight (lbs)	4,850
Stroke (inch)	43
Number of ties	6
Type of tying	Twine / Steel wire
Full bale light	Yes
Bale eject	Automatic



Bale weight
Cardboard (lbs) 800-1,200
Plastic foil (lbs) 850-1,300



Press force 88,200 lbs



Noise level 59-60 dB



Waste types
Cardboard, plastic foil, paper, PET bottles, alu cans, tin cans, hard plastic, textile, EPS.