

Vertical Balers

B-series



Baler B4

Powerful and compact

The B4 is a small machine that packs a powerful punch with a high press force and an automatic ejection system.

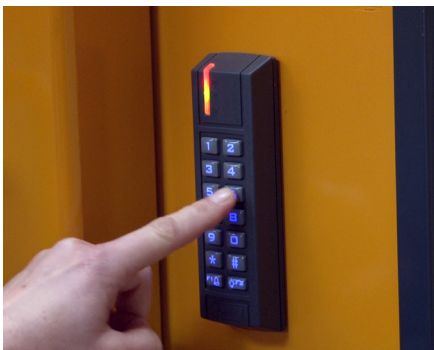
Safe to operate

Users safely eject finished bales using the two-hand ejection system.

Highlights

- Automatic ejection system
- Full bale indicator light
- Very low noise level (<60 dB)
- Low overall height (6.5 ft.) and small base area (3 ft.)
- Finished bales weigh 85 - 155 lbs.
- Easy and convenient operation in front of baler
- Powder Coating provides durable finish in many colors

Optional Extras



Control who operates your baler with a digital auto lock.



You may choose other RAL colours for your balers.



Get online access to your balers with our monitoring system called BRA-IN.

Product details

Baler B4



Whisper

30 dB



Refrigerator

50 dB



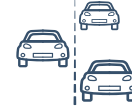
B4

57-60 dB



Other balers

75 dB



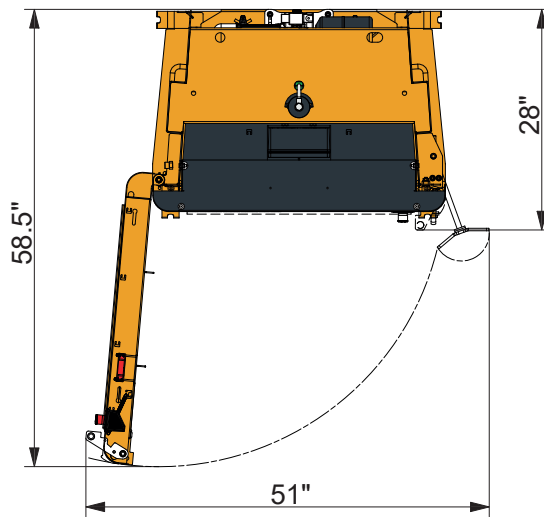
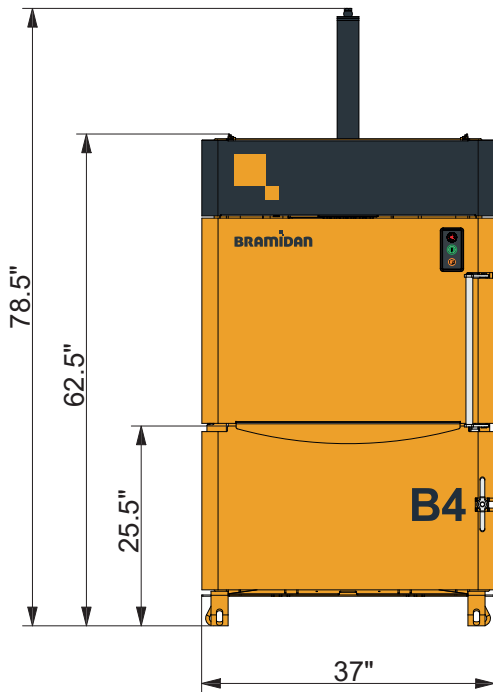
Cars on highway

100 dB



Turbojet engine

160 dB



Technical specifications

Bale size WxDxH (inch)	30 x 20 x 24
Feed opening WxH (inch)	30 x 18
Power supply	110V 1-Phase 60Hz 10A
Motor (HP)	1.0
Cycle time avg. (sec)	48
Dimensions WxDxH (inch)	37 x 28 x 79
Weight (lbs)	661
Stroke (inch)	26
Number of ties	2
Type of tying	Twine
Full bale light	Yes
Bale eject	Automatic



Bale weight	
Cardboard (lbs)	85-130
Plastic foil (lbs)	110-155



Press force	8,800 lbs
--------------------	-----------



Noise level	60-65 dB
--------------------	----------



Waste types	Cardboard, plastic foil, paper.
--------------------	---------------------------------