

## Vertical Balers

### B-series



## Baler B4 Textile

### Specially for textiles

For compacting clothes, our B4 Textile is ideal. Specially designed without retainers in the chamber to protect the clothes.

### Small manageable bales

This baler makes small manageable bales that are easy to transport and stack.

### Highlights

- No retainers inside the chamber
- Protects the clothes from ripping
- Compacted bales measure just 70 x 50 x 35-65 cm
- Bales are easy to transport and stack
- A mounted knife makes it easy to cut the straps
- Automatic prevention of chamber overload
- Powder Coating provides durable finish in many colors

### Optional Extras



There are no retainers inside the chamber, to prevent damage on the clothes.



Gain remote control of your baler with our intelligent fleet monitoring system, BRA-IN.



Personalize your baler with a custom RAL colour of your choice.

# Product details

## Baler B4 Textile



Whisper

30 dB



Refrigerator

50 dB



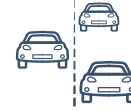
**B4 Textile**

57-60 dB



Other balers

75 dB



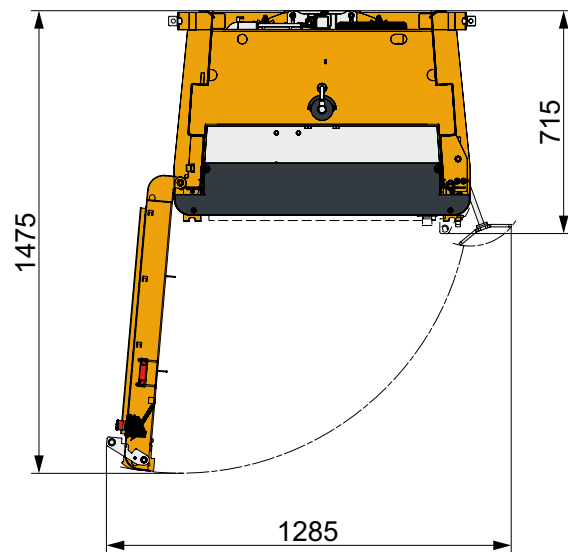
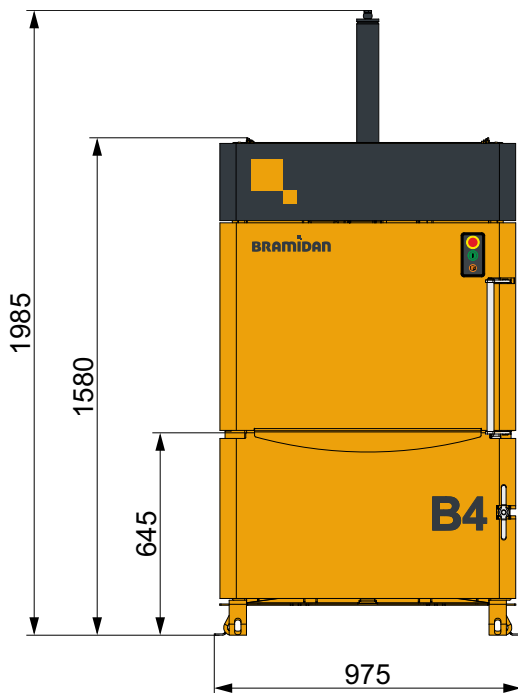
Cars on highway

100 dB



Turbojet engine

160 dB



### Technical specifications

Bale size WxDxH (mm)	770 x 500 x 600
Feed opening WxH (mm)	770 x 460
Power supply	1x230V 50Hz 10A
Motor (kW)	1.5
Screen 40 mm (m <sup>3</sup> /h)	28
Dimensions WxDxH (mm)	975 x 715 x 1985
Weight (kg)	300 kg
Stroke (mm)	650
Number of ties	2
Type of tying	Twine
Full bale light	Yes
Bale eject	Automatic



#### Bale weight

Textile (kg) 25-80



#### Press force

4 t



#### Noise level

60-65 dB



#### Waste types

**BRAMIDAN**  
bramidan.ie

Bramidan Ireland  
Unit 5 Feltrim Business Park  
Drynam Road  
Swords, Co Dublin K67 VK51  
Tel. 1 890 0660  
sales@acmesystems.ie / sales@bramidan.ie