

Vertical Balers

B-series



Baler B20

Flexible baler for various types of industries

Compact different types of recyclable materials including cardboard, paper, and soft plastic.

Bales are perfect pallet size

Bale dimension is optimized for transport and finished bales fit on a standard EUR pallet.

Highlights

- Easy tying of the bales
- High throughput
- Short press cycle
- Front-placed strap rolls for close-to-wall installation
- High compression ratio
- Bales fit on a standard EUR pallet
- Powder Coating provides durable finish in many colors

Optional Extras



Gain remote control of your baler with our intelligent fleet monitoring system, BRA-IN.



You may choose other RAL colours for your balers.



Reduce baler cycle time with regenerative circuit

Product details

Baler B20



Whisper

30 dB



Refrigerator

50 dB



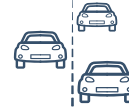
B20

62-64 dB



Other balers

75 dB



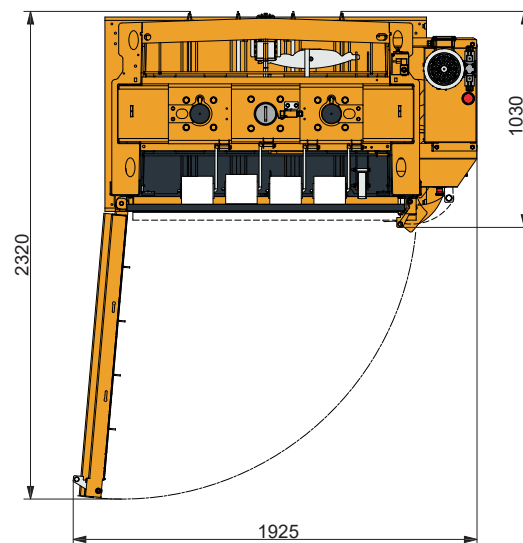
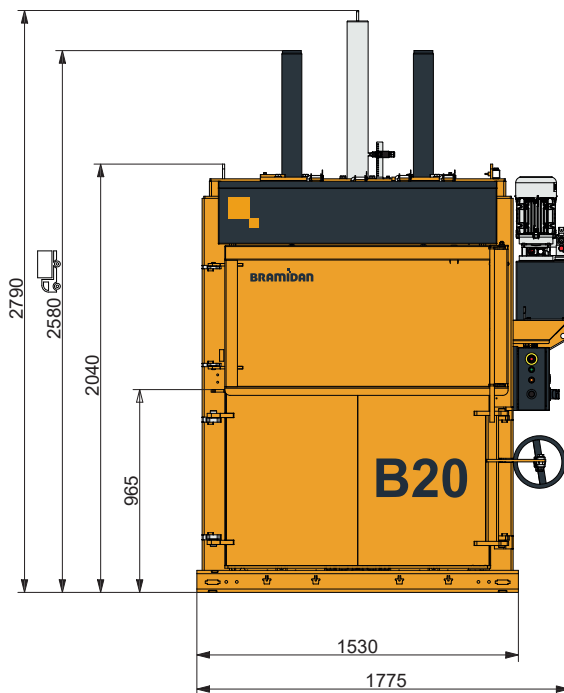
Cars on highway

100 dB



Turbojet engine

160 dB



Technical specifications

Bale size WxDxH (mm)	1200 x 800 x 800
Feed opening WxH (mm)	1200 x 480
Power supply	3x400V 50Hz 16A
Motor (kW)	4.0
Screen 40 mm (m3/h)	36 / 21
Dimensions WxDxH (mm)	1775 x 1030 x 2790
Weight (kg)	1250
Stroke (mm)	750
Number of ties	4
Type of tying	Twine
Full bale light	Yes
Bale eject	Automatic



Bale weight

Cardboard (kg)	200-250
Plastic foil (kg)	250-300



Press force

20 t



Noise level

62-64 dB



Waste types

Cardboard, plastic foil, paper.

BRAMIDAN
 bramidan.ie

Bramidan Ireland
 Unit 5 Feltrim Business Park
 Drynam Road
 Swords, Co Dublin K67 VK51
 Tel. 1 890 0660
 sales@acmesystems.ie / sales@bramidan.ie